

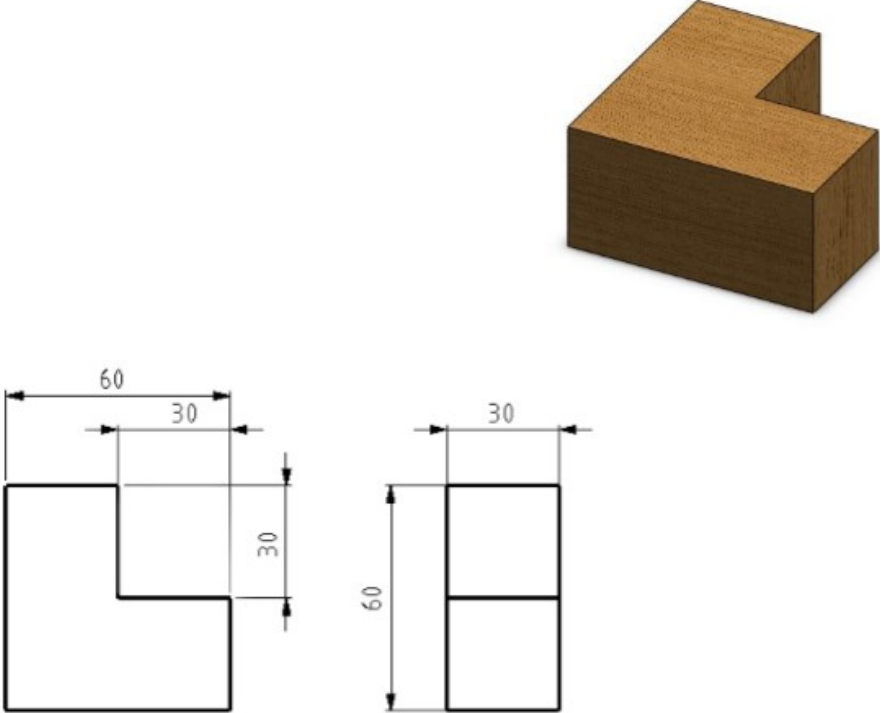
TP n°3 solidworks : réaliser un assemblage à partir de pièces tetris
IMPORTANT : ENREGISTRER CHACUNE DES PIÈCES DANS VOTRE DOSSIER PERSONNEL

ton travail : 1/ concevoir les pièces ci-dessous . (à enregistrer)

2/ réaliser l'assemblage demandé puis enregistrer votre travail.

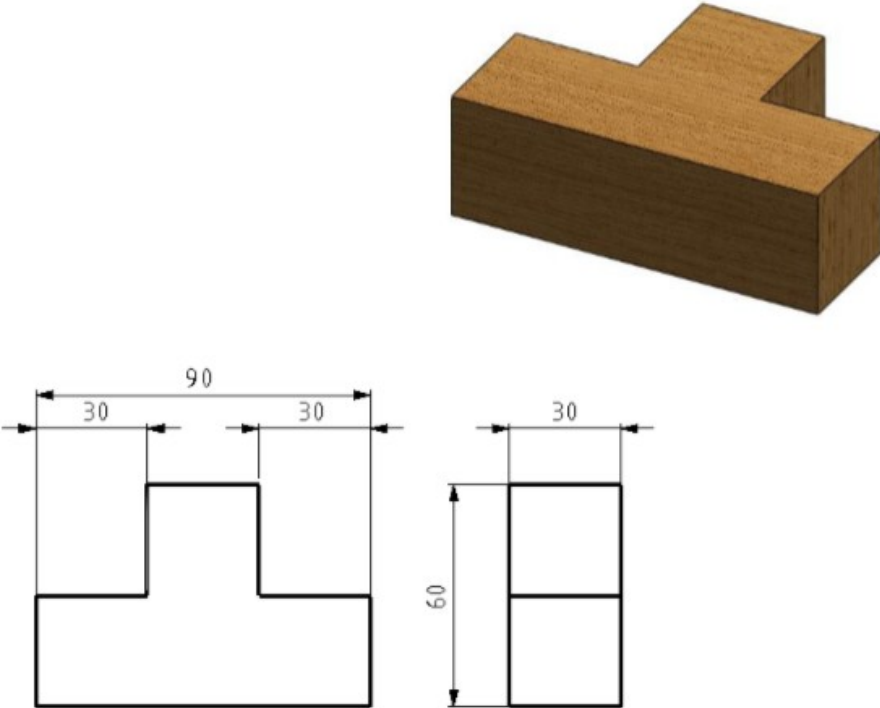
OBJET FINAL : un cube avec pièces emboîtées (forme «tetris »)

Exercice 5-11



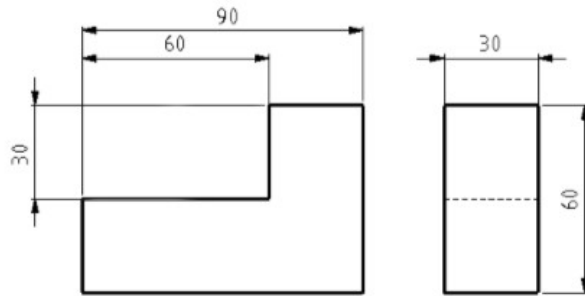
The image shows a 3D perspective view of a brown wooden T-shaped block. Below it are two 2D orthographic projections. The front view (left) shows a block with a total width of 60 and a total height of 60. The top horizontal edge is 60 units long. A vertical line is drawn 30 units from the left edge, extending from the top edge down to the middle of the block's height. The bottom edge is 30 units long, centered under the vertical line. The side view (right) shows a block with a width of 30 and a height of 60, divided into two equal 30-unit high sections by a horizontal line.

Exercice 5-12

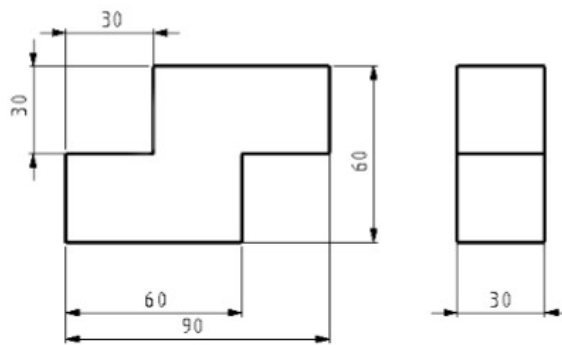


The image shows a 3D perspective view of a brown wooden T-shaped block. Below it are two 2D orthographic projections. The front view (left) shows a block with a total width of 90 and a total height of 60. The top horizontal edge is 90 units long. A vertical line is drawn 30 units from the left edge, extending from the top edge down to the middle of the block's height. The bottom edge is 30 units long, centered under the vertical line. The side view (right) shows a block with a width of 30 and a height of 60, divided into two equal 30-unit high sections by a horizontal line.

Exercice 5-13



Exercice 5-14



Exercice 5-15

Réalisez l'assemblage illustré ci-contre. Opérations nécessaires :

- Appliquez 1 fois l'exercice 5-11
- Appliquez 1 fois l'exercice 5-12
- Appliquez 4 fois l'exercice 5-13
- Appliquez 1 fois l'exercice 5-14

Pour des raisons de clarté, une couleur différente a été appliquée aux divers composants présentés ci-contre.

